



IPCSS / IPCSS-F Small Mounted Clock

The IP Clock is a Power over Ethernet (PoE) synchronized clock and intercom that requires only an RJ-45 connector to connect to existing data networks. Simultaneously, broadcast to both phones and speakers. The clock auto synchronizes and can be used as a scrolling text display. Standard built in microphone that allows two way voice communication.

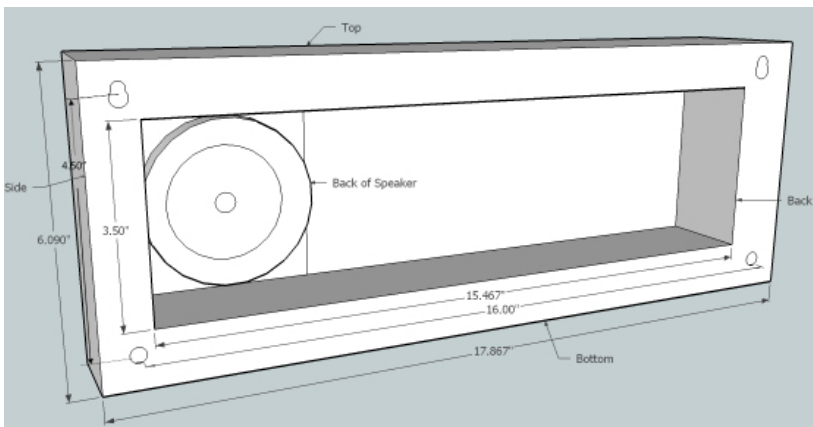
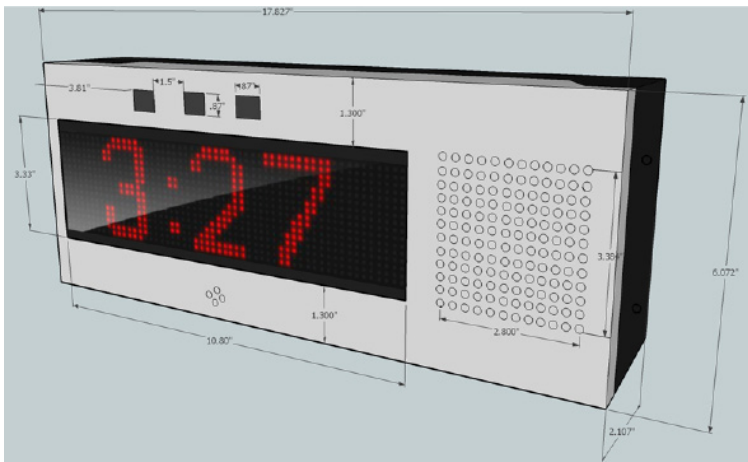
- Built in Web Server:**
 - Send text messages to it from the web page
 - Configurable brightness and volume
 - Configurable fonts
 - Configurable NTP time server, time zone, etc.
 - Status
 - Field upgradable
- GPIO:**
 - 2 inputs, 2 outputs
 - Activate via telephone or programatically
- Line In/ Out:**
 - Independent line-in. Can be configured to send line in audio to the speaker
- Installation:**
 - Only requires CAT 5 connection (up to 300ft) to network
 - Power over Ethernet (no power cord or adapter). No other equipment needed.
 - Supports PoE and PoE+
- Phone:**
 - Extension on your phone system
 - Make outbound calls to an extension or outside phone
- Flashers:**
 - Configurable for emergencies or alerts
 - Individually controllable
 - Optional Upgrade (IPCSS-F)
- Microphone:**
 - Monitoring
 - Two way talking/Intercom
 - Paging Supervision
- Stop Watch / Timer:**
 - Count up and down with configurable sounds
 - Event based trigger
- Audio:**
 - 4" Speaker
 - Optional ancillary 8-ohm speaker
 - Bell scheduling, reminders and alarms
 - Clock chimes
 - Voice paging from a PC, randomly, or at intervals
 - Use provided notifications, alarms, audio files (sport, holiday, traditional, etc.), or
- Sound Masking:**
 - Generate pink noise via push button or programatically for sound masking
- Clock:**
 - 3" numbers/text
 - Atomic time
 - Never needs setting
 - Auto-adjust for Daylight Savings
 - Display 4 or 6 digits
 - Configurable fonts and colors
- Scrolling Text:**
 - Send many types of messages to it, different colors can represent different message types or priorities:
 - Configurable News
 - Reminders
 - Alerts
 - Advertising
 - RSS feeds/ Twitter
 - Configurable color

(e.g. "Closing in 10 minutes")

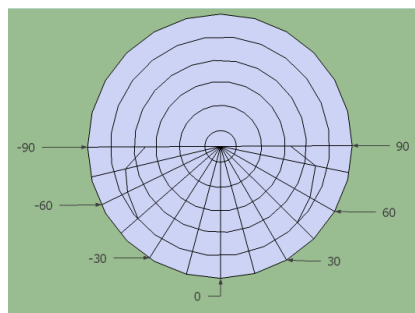
(e.g. scrolling: "Closing in 10 minutes")



Small Clock Dimensions



Speaker Size	4" frame
Average Sensitivity	96dB SPL, 1W/1M
PoE Power	8 W
Frequency Response	130 Hz - 9 kHz EIA 462A Standard
Polar Plot	See diagram below



4" Speaker Polar Plot
2kHz Octave Band, Grid Spacing = 6dB/Division

Supported Protocols

- SIP
- IPv4
- HTTP
- SLP
- TFTP
- NTP
- DHCP
- IGMP
- ICMP
- TCP/IP
- UDP
- MDNS and MDNS-SD

Available Software

- Console for finding and controlling speakers.
- Clockwise: A clock/alarm program for scheduling, alarms, stopwatch, timer, optional theme sound library, etc.
- Software by 3rd parties: InformaCast (SingleWire), SA-Announce (Syn-Apps), MessageNet Systems, BellCommander (AcroVista), Application Gateway 2000 (Nortel), UC Server by Adtran (Objectworld) and others.

Specifications

- Weight: 5 lbs
- Approx: 18"x2"x6"
- PoE (IEEE802.3af)
- 10/100 Mb network connection

